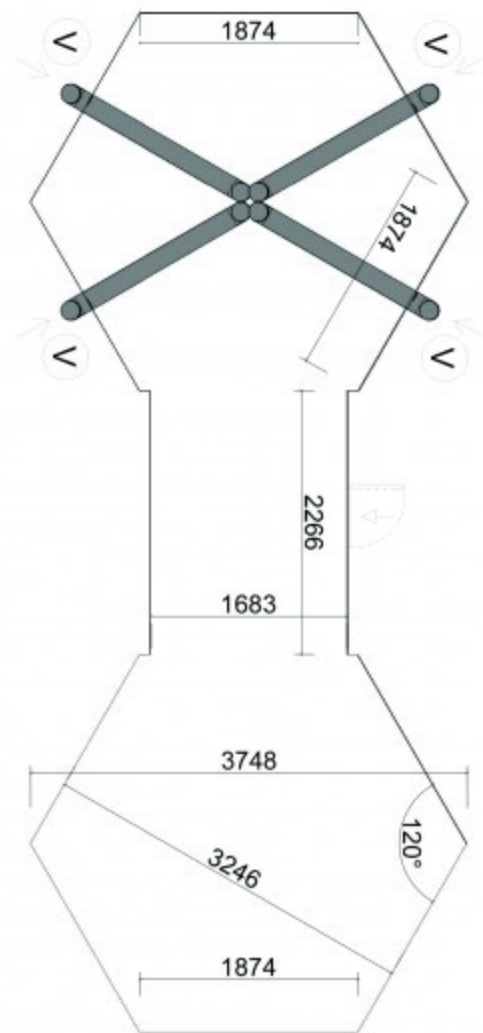


GRILL CABIN 9.2 m<sup>2</sup> + 9.2 m<sup>2</sup>



GRILL CABIN 9.2 m<sup>2</sup> + 9.2 m<sup>2</sup>

**USE THIS DRAWING IF YOU PLACED AN ORDER FROM  
6TH OF OCTOBER 2019!**

